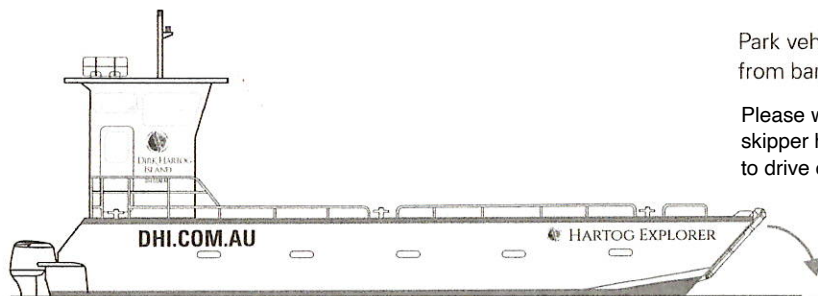
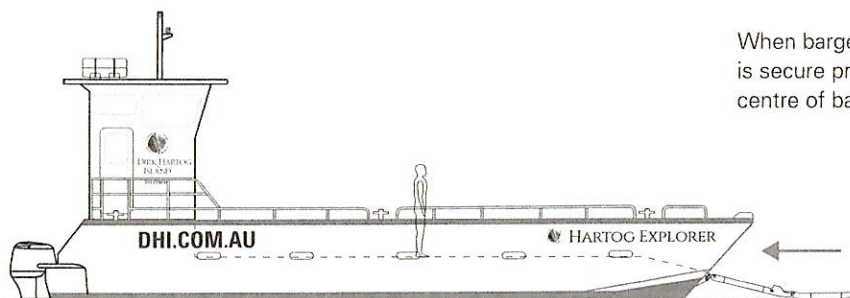


BARGE PROCEDURE

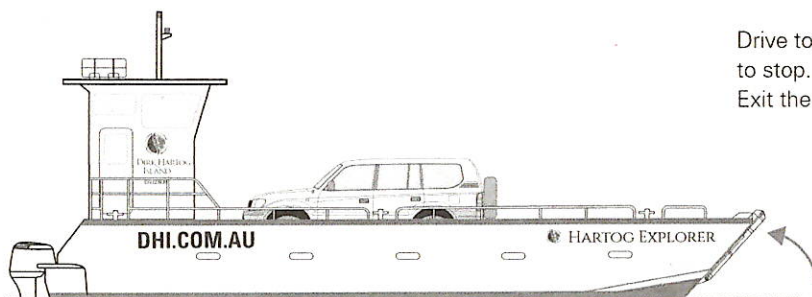


Park vehicle a minimum of 10m from barge landing point.

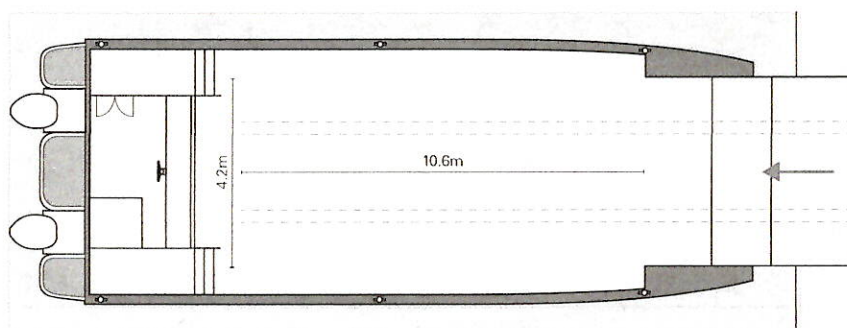
Please wait until the barge skipper hand signals for you to drive on the barge.



When barge has landed and front draw bridge is secure proceed straight and forward along centre of barge.



Drive to end line - your skipper will signal when to stop. Switch off engine and apply handbrake. Exit the vehicle.



Deck space is 10.6m long and 4.2m wide. If your vehicle and trailer is 10.6m or less, then you can drive straight on.

If you are over 10.6m in length, please send us an email to escape@dirkhartogisland.com of your set up and we can review if you can fit on.

